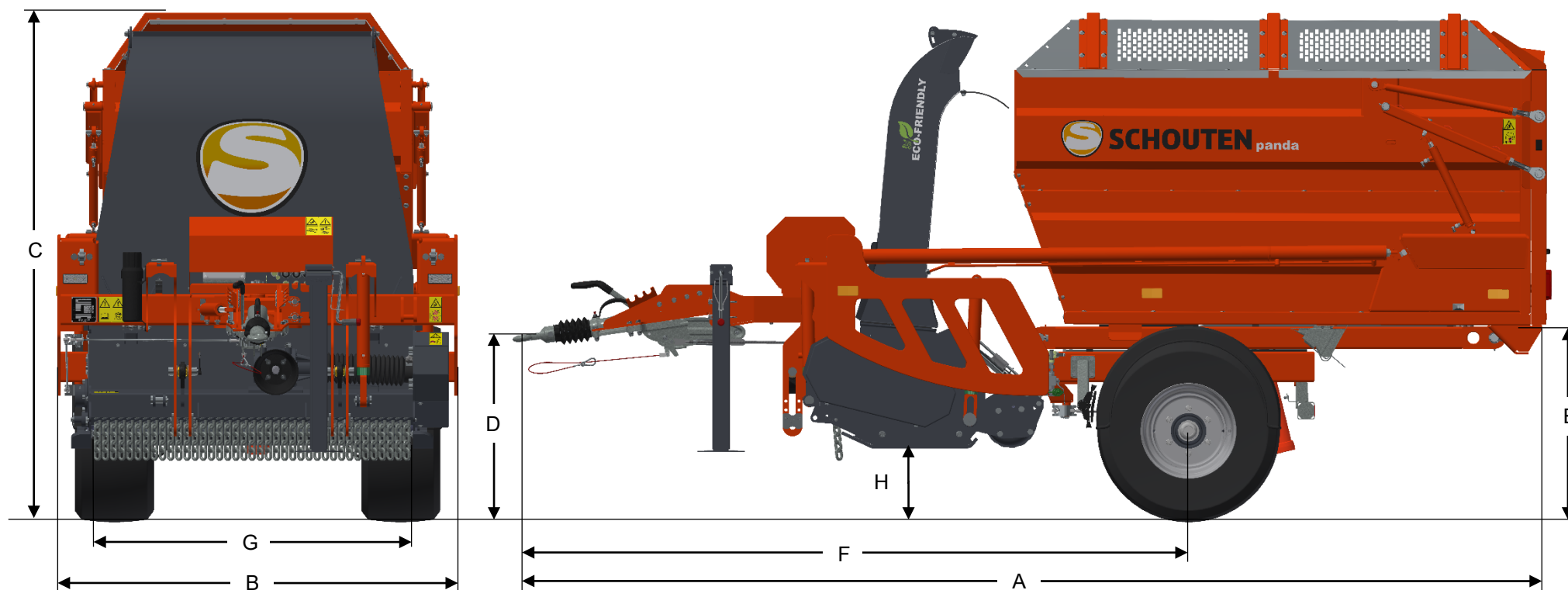


PANDA P1404



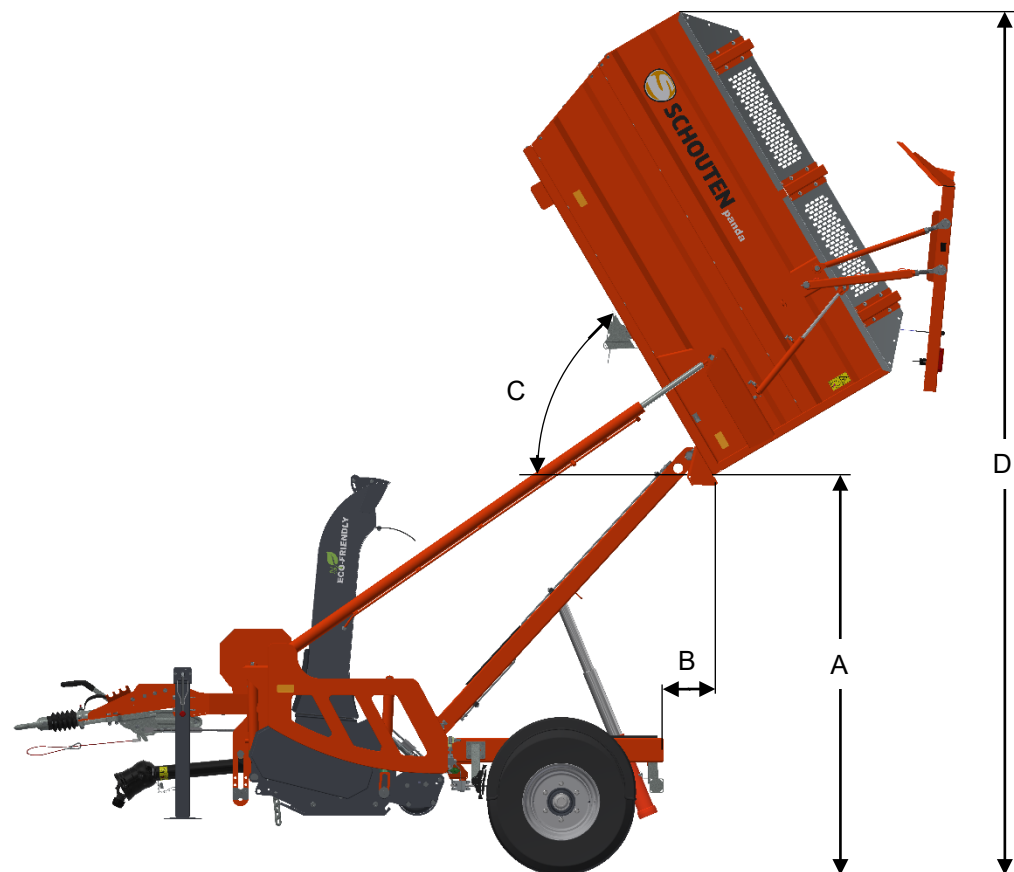
DIMENSIONS

A	LENGTH	4700 MM	E	MINIMAL EMPTYING HEIGHT	945 MM
B	WIDTH	1820 MM	F	DISTANCE HITCH – AXLE	3010 MM
C	HEIGHT	2300 MM	G	WORKING WIDTH	1400 MM
D	HITCH HEIGHT	820-870-920 MM	H	FRAME CLEARANCE	300 MM

PANDA P1404

MACHINE INFORMATION

TYPE	P1404
WEIGHT	2.260 KG
HITCH TYPE	TOP HITCH
BIN CAPACITY	4 M ³
DRAWBAR ADJUSTMENT LEFT	310 MM
DRAWBAR ADJUSTMENT RIGHT	400 MM
HYDR. POWER REQUIREMENT	40LTR/MIN - 180BAR
HYDR. L.S. PREPARED	YES
POWER CONNECTION	12VDC
AXLE	KNOTT □70MM
BRAKE SYSTEM	OVERRUN DEVICE
CARRYING CAPACITY	3.500 KG
TRACK SIZE AXLE	1300 MM
TIRES	380/55R16.5
MOWING UNIT DRIVE	PTO V-BELTS
PTO SPEED	540 RPM
POWER REQUIREMENT	30 HP
WORKING WIDTH	1400 MM
DIAMETER MOWING ROTOR	Ø160 MM
NUMBER OF CLAPPERS	22 PIECES
MOWING ROTOR SPEED	2.100 RPM
DIAMETER REAR ROLLER	Ø 200 MM



DIMENSIONS MAX. TILTING POSITION

A	MAX. EMPTYING HEIGHT	2265 MM
B	DISTANCE BIN – FRAME	320 MM
C	BIN EMPTYING ANGLE	60°
D	TOTAL HEIGHT	4840 MM