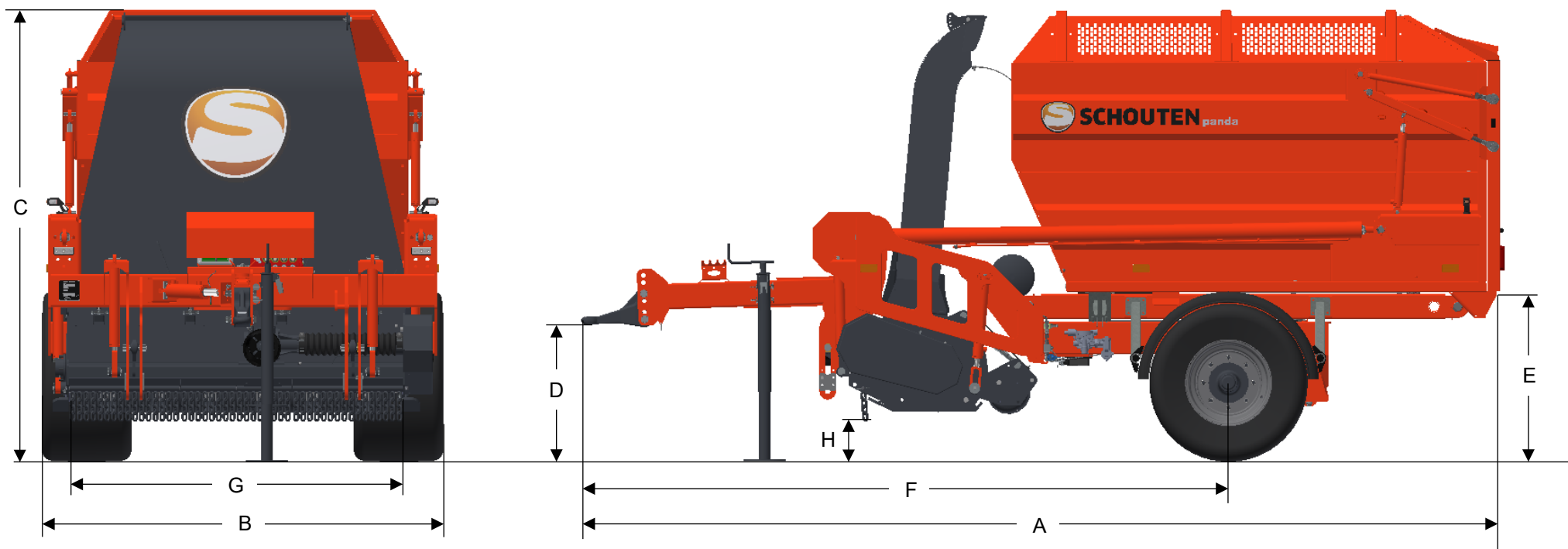


PANDA P1806



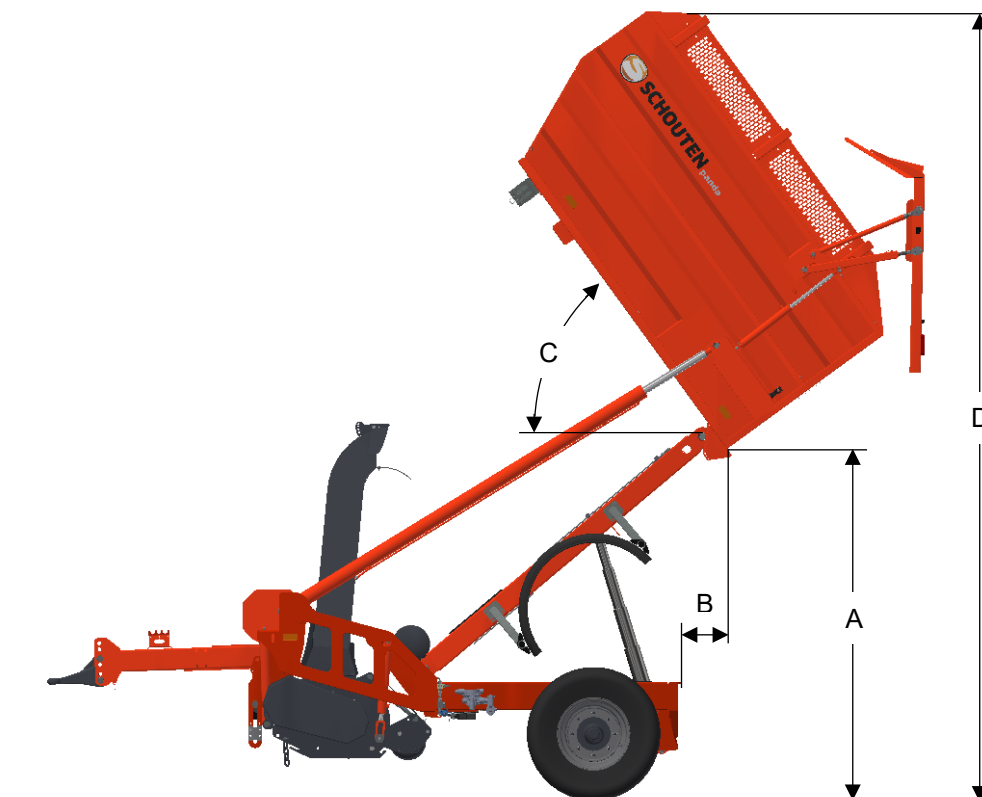
DIMENSIONS

A	LENGTH	5050 MM	E	MINIMAL EMPTYING HEIGHT	930 MM
B	WIDTH	2195 MM	F	DISTANCE HITCH - AXLE	3540 MM
C	HEIGHT	2550 MM	G	WORKING WIDTH	1800 MM
D	HITCH HEIGHT	740-1090 MM	H	FRAME CLEARANCE	240 MM

PANDA P1806

MACHINE INFORMATION

TYPE	P1806
WEIGHT	2.960 KG
HITCH TYPE	TOP HITCH
BIN CAPACITY	6.5 M ³
DRAWBAR ADJUSTMENT LEFT	600 MM
DRAWBAR ADJUSTMENT RIGHT	160 MM
HYDR. POWER REQUIREMENT	40LTR/MIN - 180BAR
HYDR. L.S. PREPARED	YES
POWER CONNECTION	12VDC
AXLE	TVZ BRAKED 90X90MM
BRAKE SYSTEM	AIR BRAKES
CARRYING CAPACITY	4.800 KG
TRACK SIZE AXLE	1700 MM
TIRES	19.0/45X17 18PR
MOWING UNIT DRIVE	PTO V-BELTS
PTO SPEED	540 RPM
POWER REQUIREMENT	50 PK
WORKING WIDTH	1800 MM
DIAMETER MOWING ROTOR	Ø160 MM
NUMBER OF CLAPPERS	26 PIECES
MOWING ROTOR SPEED	2.100 RPM
DIAMETER REAR ROLLER	Ø200 MM



DIMENSIONS MAX. TILTING POSITION

A	MAX. EMPTYING HEIGHT	2405 MM
B	DISTANCE BIN - FRAME	340 MM
C	BIN EMPTYING ANGLE	MIN. 53°
D	TOTAL HEIGHT	5150 MM