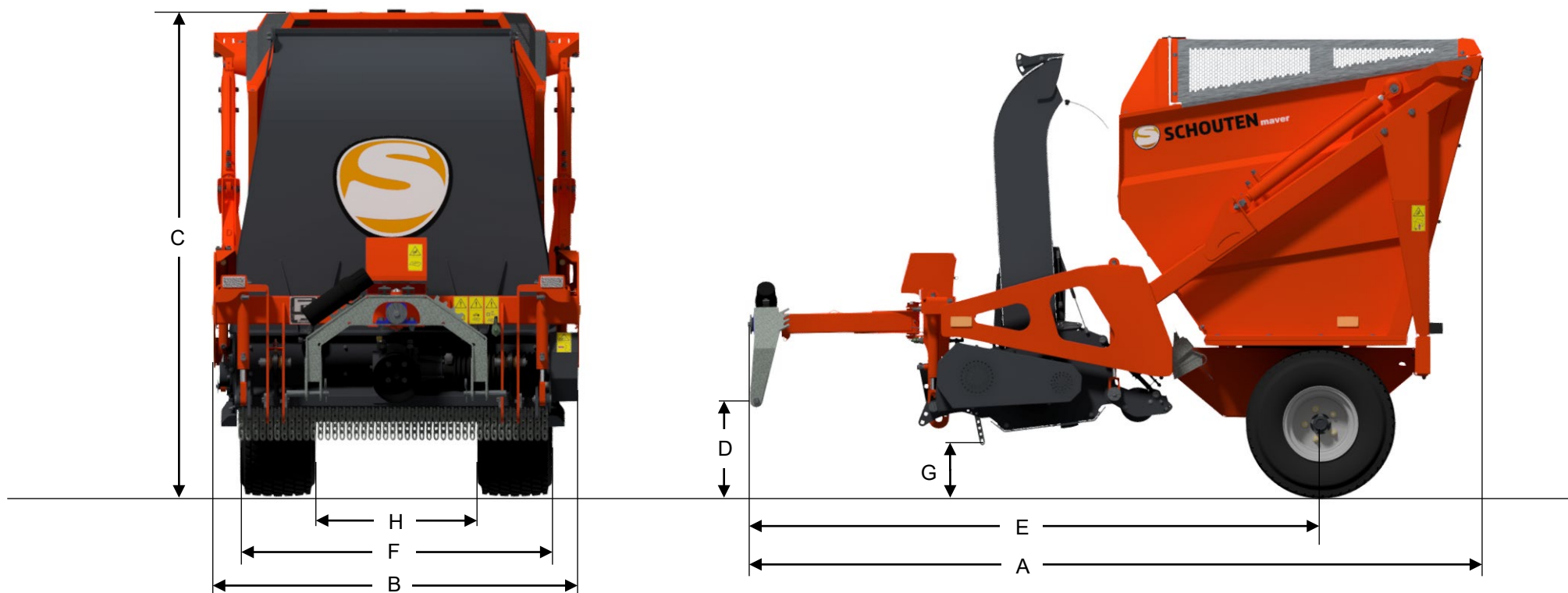


MAVER M1302



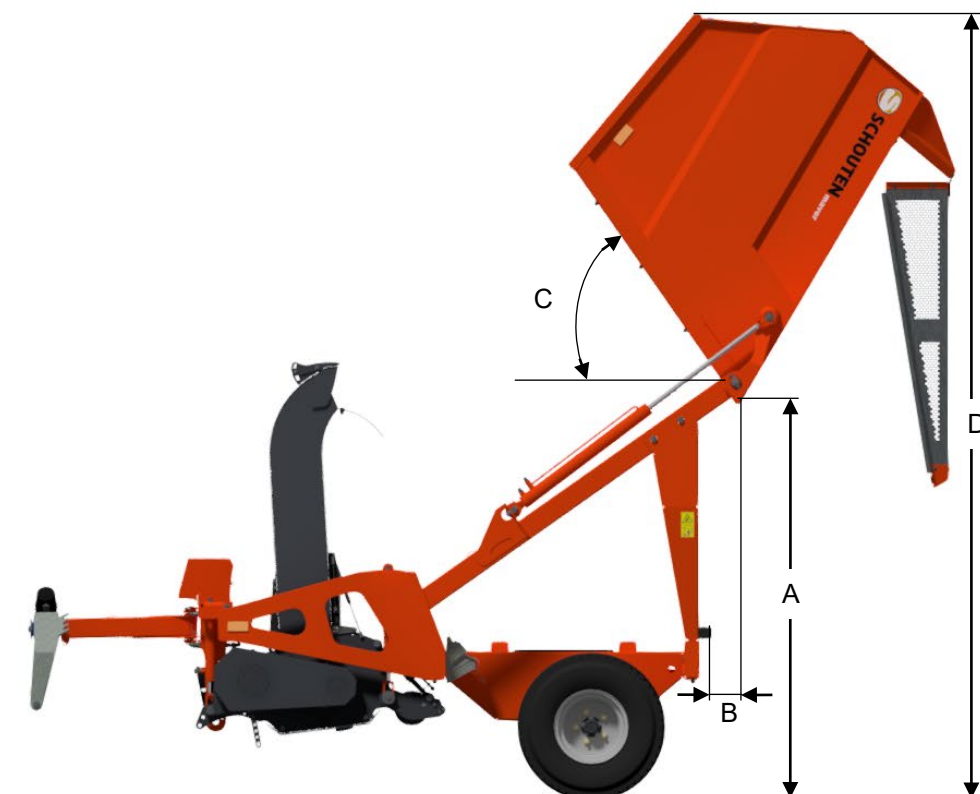
DIMENSIONS

A	LENGTH	3290 MM	E	DISTANCE HITCH EYE – AXLE	2510 MM
B	WIDTH	1545 MM	F	WORKING WIDTH	1270 MM
C	HEIGHT	2020 MM	G	FRAME CLEARANCE	250 MM
D	HITCH HEIGHT	390 MM	H	HITCH WIDTH	700 MM

MAVER M1302

MACHINE INFORMATION

TYPE	M1302
WEIGHT	1150 KG
HITCH TYPE	CAT I / II HEF
BIN CAPACITY	2 M ³
HYDR. POWER REQUIREMENT	20LTR/MIN/180BAR
POWER CONNECTION	12VDC
AXLE	TVZ 40MM UNBRAKED
CARRYING CAPACITY	1.000 KG
TYRES	26X12.00-12 6PR
MOWING UNIT DRIVE	PTO V-BELTS
PTO SPEED	540 RPM
POWER REQUIREMENT	20 HP
WORKING WIDTH	127 CM
DIAMETER MOWING ROTOR	Ø 200 MM
NUMBER OF MOWING / CHOPPING BLADES	34L+34R / 68 PIECES
NUMBER OF WIND WINGS	37 PIECES
ROTORSPEED	2380 RPM
DIAMETER REAR ROLLER	Ø 160 MM
SCARIFYING	OPTIONAL
NUMBER OF SCARIFYING BLADES	34 PIECES



DIMENSIONS TIPPING POSITION

A	MAX. TIPPING HEIGHT	1790 MM
B	DISTANCE BIN – FRAME	150 MM
C	ANGLE TIPPING BIN	55°
D	TOTAL HEIGHT	3520 MM