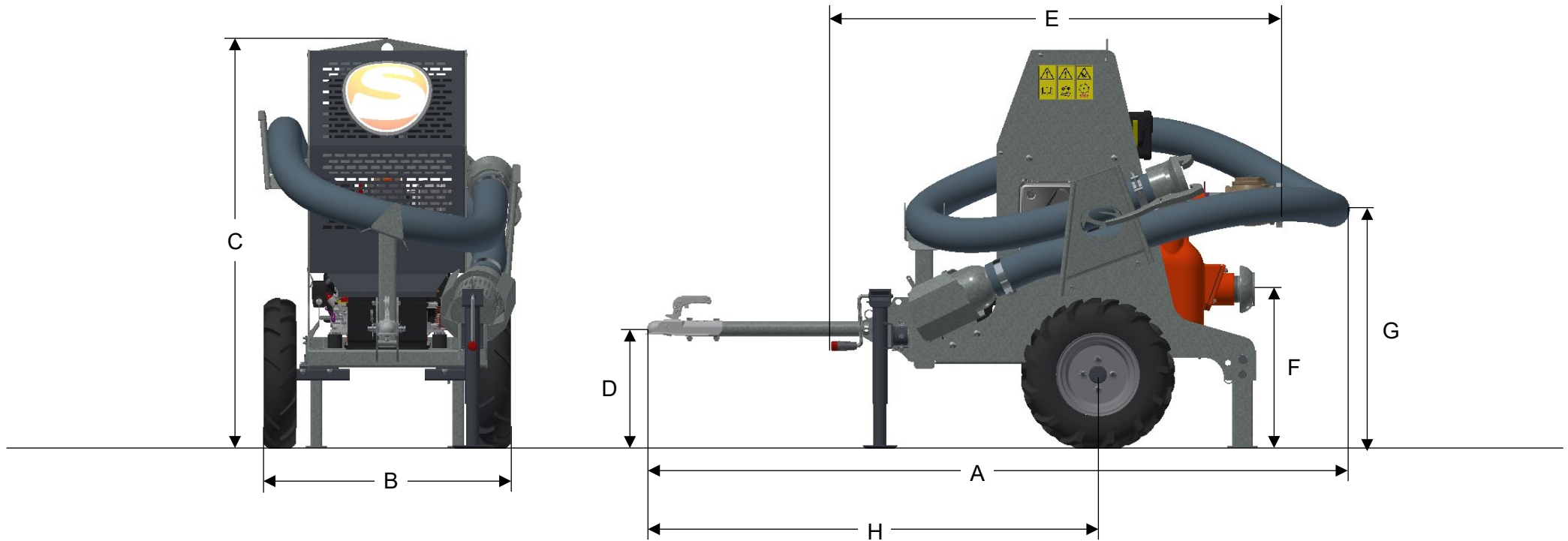


WATERPUMP WP85-3



DIMENSIONS

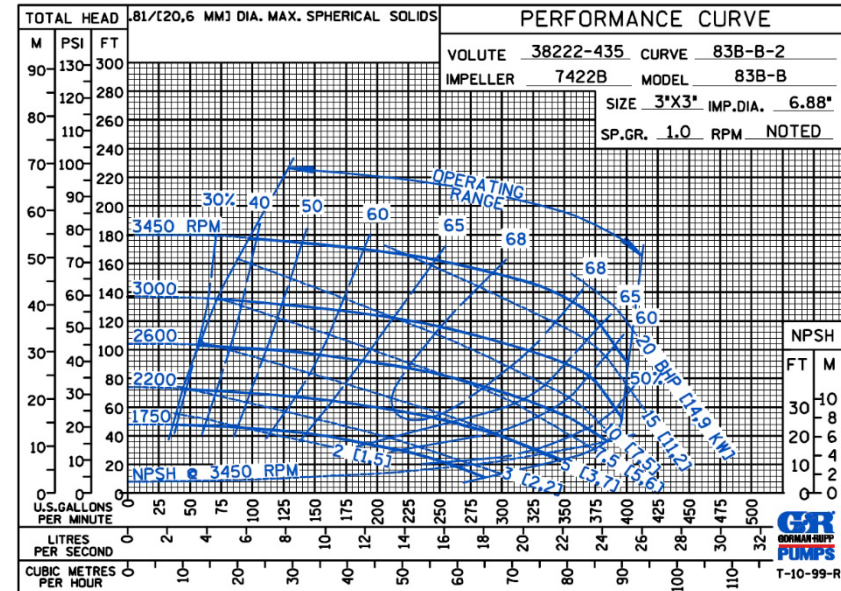
A	LENGTH	2350 MM	E	TRANSPORT LENGTH	1730 MM
B	WIDTH	880 MM	F	HEIGHT SUCTION	540 MM
C	HEIGHT	1375 MM	G	HEIGHT PRESS	820 MM
D	HITCH HEIGHT	300-490 MM	H	LENGTH TOWING EYE – WHEEL AXLE	1480 MM

WATERPUMP WP85-3

MACHINE INFORMATION

TYPE	WP85-3
WEIGHT	515 KG
ENGINE	HATZ 1D90
FUEL	DIESEL
DIESEL TANK	36 LITER
POWER	15 HP
START	ELECTRIC
WATERPUMP	SELF-PRIMING
CAPACITY	80M ³ AT 2 BAR
SUNCTION HOSE	4" WITH FOOT VALVE
SUNCTION HOSE LENGTH	4 MTR
PRESS COUPLING	STORZ NA115

PUMPDIAGRAM



OPTIONS



TOWING EYE