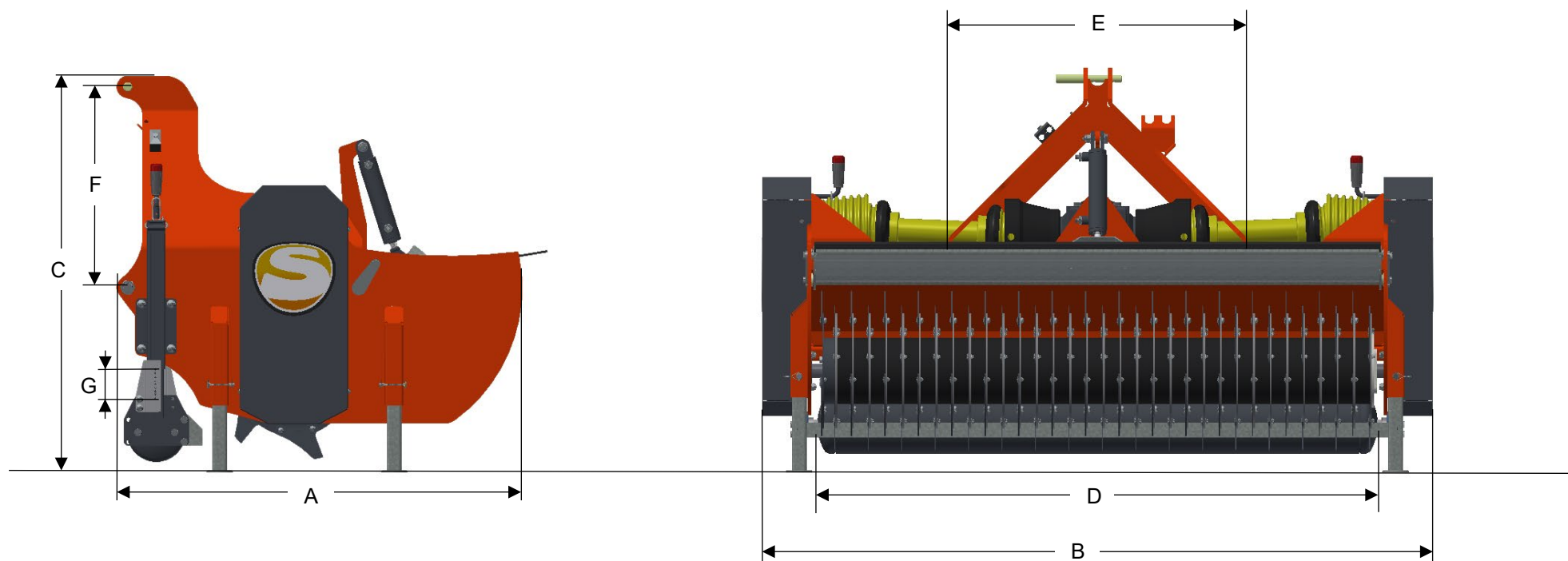


RABBIT RD1545



DIMENSIONS

A	LENGTH	1250 MM
B	WIDTH	1806 MM
C	HEIGHT	1020 MM
D	WORKING WIDTH	1500 MM

E	HITCH WIDTH	680-880 MM
F	DISTANCE LIFT PIN – LINK PIN	536 MM
G	ADJUSTMENT RANGE ROLLER	50 MM

RABBIT RD1545

MACHINE INFORMATION

TYPE	RD1545
WEIGHT	575 KG
HITCH TYPE	CAT 1 + 2
WORKING WIDTH	1530 MM
MAX. WORKING DEPTH	50 MM
DRIVE	PTO – V-BELTS
PTO SPEED	540/1000 RPM
POWER REQUIREMENT	30 HP

TYPE OF SCARIFYING KNIFE	3-PARTS STAR-KNIVES
DIAMETER KNIFE	Ø 450 MM
NUMBER OF KNIVES	102 PIECES
DISTANCE BETWEEN KNIVES	42 MM
ROTATION SPEED KNIFE AXLE	540/1000 RPM
ROTATION DIRECTION KNIFE AXLE	CLIMB MILLING
ROLLER ADJUSTMENT	STEPLESS TO 50MM
DIAMETER ROLLER	Ø 160 MM
SLIDE ADJUSTMENT	HYDRAULIC

OPTIONS



CUTTING KNIVES